

PARTS LIST

[RS-WP1WT]

* All printed circuit boards and its assemblies are not available as service parts.

Area suffix

B ----- U.K.
 E ----- Continental Europe
 EN ----- Northern Europe

- Contents -

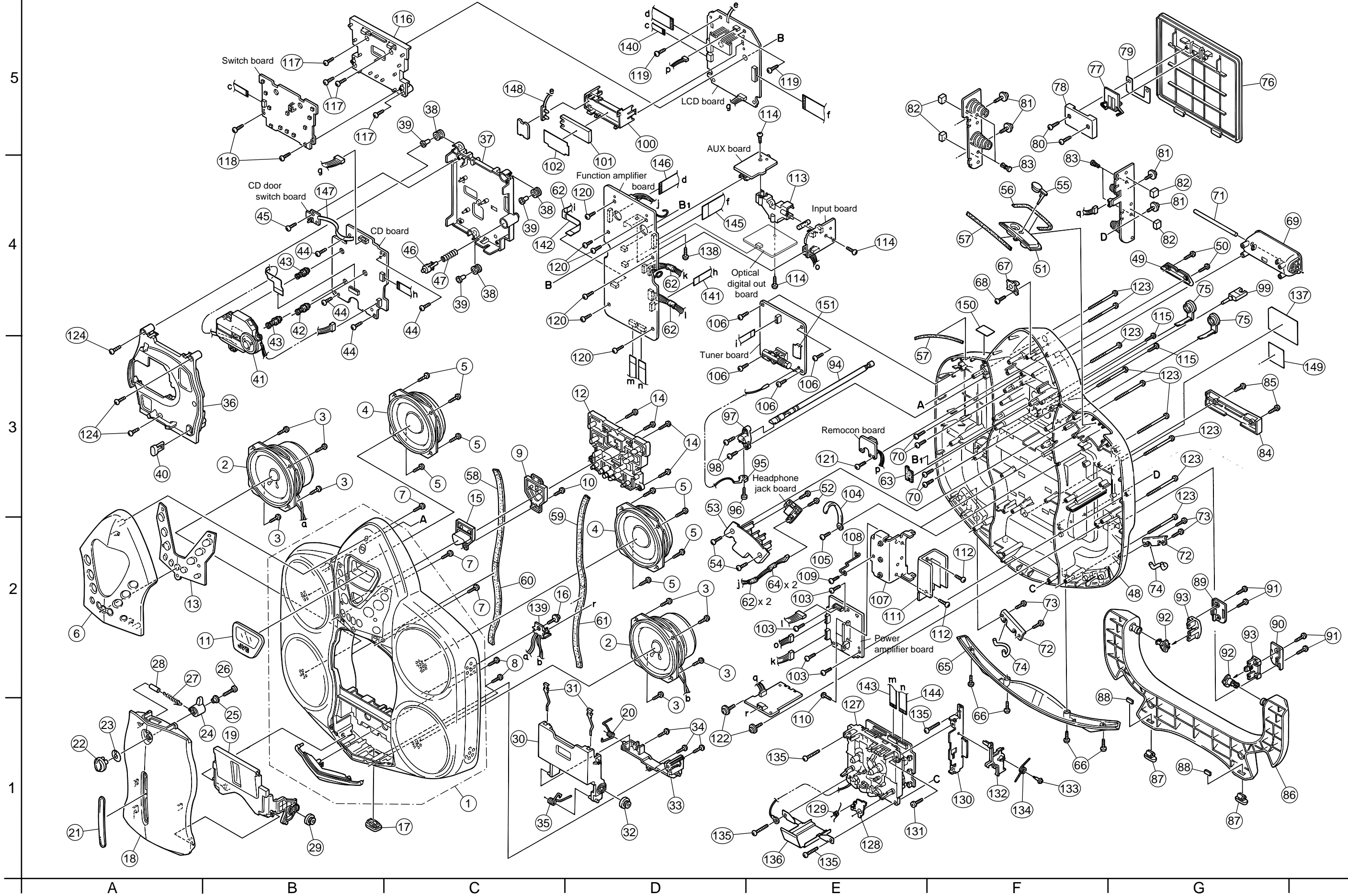
Exploded view of general assembly and parts list	3- 3
Cassette mechanism assembly and parts list	3- 6
Electrical parts list	3- 8
Packing materials and accessories parts list	3-18

< MEMO >

Exploded view of general assembly and parts list

Block No.

M	1	M	M
---	---	---	---



RS-WP1WT

■ Parts list (General assembly)

Block No. M1MM

△	Item	Parts number	Parts name	Q'ty	Description	Area
	1	LV10484-002A	FRONT CABI ASSY	1		
	2	LE10010-010A	SPEAKER	2		
	3	QYSBSF3008M	SCREW	8	FOR SP(SC)	
	4	LE10010-015A	SPEAKER	2		
	5	QYSBSF3008M	SCREW	8	FOR SP(PA)	
	6	LV10486-001A	TOP COVER	1		
	7	QYSBSF3010Z	SCREW	3	FRONT+TOP COVER	
	8	QYSBSF3010Z	SCREW	2	FRONT+BTM.COVER	
	9	LV42182-002A	POWER LENS	1		
	10	QYSBSF3010Z	SCREW	1	FOR POWER LENS	
	11	LV32532-001A	LCD LENS	1		
	12	LV20967-001A	PUSH BUTTON(A)	1		
	13	LV20968-201A	BUTTON COVER(A)	1		
	14	QYSBSF3010Z	SCREW	4	FRONT+BTN(A)	
	15	LV32591-201A	BUTTON COVER(B)	1		
	16	QYSBSFG3010Z	TAP SCREW	1	FOR SPK.CONECTO	
	17	LV42288-201A	RUBBER FOOT(F)	1		
	18	LV10487-001A	DOOR	1		
	19	LV21020-001A	DOOR HOLDER	1		
	20	LV42611-002A	SPRING	1		
	21	LV32533-001A	DOOR LENS	1		
	22	LV40718-004A	EJECT KNOB	1		
	23	LV42566-002A	KNOB SHEET	1		
	24	LV42502-001A	CAM	1		
	25	LV40720-002A	COLLAR (CASS)	1		
	26	QYSDSF2614Z	SCREW	1	EJECT KNOB	
	27	LV40749-002A	TENSION SPRING	1		
	28	QWTA42H-010	TUBE	1		
	29	VYH5601-001	GEAR	1		
	30	LV20975-001A	CASSETTE HOLDER	1		
	31	VKY4180-301	CASSETTE SPRING	2		
	32	VYH5601-001	GEAR	1		
	33	LV32534-001A	HOLDER(CASS)	1		
	34	QYSBSF3010Z	SCREW	3	FOR HOLDER(CASS)	
	35	LV42184-002A	DOOR SPRING	1		
	36	LV10488-002A	CD CASE	1		
	37	LV10489-002A	CD CHASSIS	1		
	38	LV42501-202A	INSULATOR	3		
	39	LV42504-001A	COLLAR	3		
	40	LV32535-001A	EJECT BUTTON	1		
	41	KSM-900AAH	CD MECHA	1		
	42	LV42476-205A	INSULATOR	1	FOR CD MECHA	
	43	LV42476-202A	INSULATOR	2		
	44	QYSBSF3010Z	SCREW	4	CD CHASSIS+PWB1	
	45	QYSBSF3010Z	SCREW	1	CD CHASSIS+SW PWB	
	46	LV42225-001A	DOOR EJECTOR	1		
	47	LV42287-002A	COMP.SPRING	1	FOR D.E	
	48	LV10490-001A	REAR CABINET	1		

■ Parts list (General assembly)

Block No. M1MM

△	Item	Parts number	Parts name	Q'ty	Description	Area
	49	LV32702-001A	HANDLE	1		
	50	QYSBSF3010M	T.SCREW	2	FOR HANDLE	
	51	LV32703-002A	JACK ORNAMENT	1		
	52	QYSBSF3010Z	SCREW	2	FOR H.P PWB	
	53	LV32716-001A	CAP	1		
	54	QYSBSF3010Z	SCREW	2	FOR CAP	
	55	LV42535-001A	JACK CAP(C)	1		
	56	LV30064-086A	SPACER	1		
	57	LV30064-089A	SPACER	2		
	58	LV42211-001A	P.SHEET UP(L)	1	PEF	
	59	LV42212-001A	P.SHEET UP(R)	1	PEF	
	60	LV42213-002A	P.SHEET LOW(L)	1	PEF	
	61	LV42214-002A	P.SHEET LOW(R)	1	PEF	
	62	LV30064-084A	SPACER	5	PEF(40X20 T1)	
	63	LV42565-001A	PAD SHEET	1	PEF(25X12.5 T1)	
	64	LV30064-084A	SPACER	2		
	65	LV10491-001A	FOOT	1		
	66	QYSBSF3010M	T.SCREW	4	REAR+FOOT	
	67	LV42185-001A	REMOCON LENS	1		
	68	QYSBSF2608Z	T.SCREW	1	REAR+R.LENS	
	69	LV32536-001A	BELT HOLDER(A)	1		
	70	QYSBSF3010Z	SCREW	4	REAR+BELT HOL(A)	
	71	LV42406-001A	SHAFT	1		
	72	LV42473-002A	HOLDER BRACKET	2		
	73	QYSBSF3010M	T.SCREW	4	REAR+BELT HOL(B)	
	74	LV42186-002A	SHAFT	2		
	75	LV42187-201A	JACK CAP(A)	2		
	76	LV10492-001A	BATTERY COVER	1		
	77	LV42189-001A	LOCK LEVER	1		
	78	LV42190-001A	LEVER HOLDER	1		
	79	LV42580-001A	SPACER	1		
	80	QYSBSF3010Z	SCREW	2	REAR+LEVER HOL.	
	81	E65923-003	TAPPING SCREW	4	FOR BATT PWB	
	82	LV30225-0B7A	SPACER	4		
	83	LV40245-001A	PLASTIC RIVET	4		
	84	LV32699-001A	HOLDER	1		
	85	QYSBSF3010M	T.SCREW	2	FOR HOLDER	
	86	LV10495-001A	STAND	1		
	87	LV42289-201A	RUBBER FOOT(R)	2		
	88	LV30064-090A	SPACER	2		
	89	LV42192-001A	STAND HOLDER (L)	1		
	90	LV42192-002A	STAND HOLDER(R)	1		
	91	QYSBSF3010M	T.SCREW	4	SOR STAND HOLDER	
	92	LV32700-001A	STAND LOCK	2		
	93	LV32701-001A	STAND SUPPORT	2		
	94	FMJA3001-00A	ROD ANT ASS'Y	1		
	95	VYH5012-002	LUG TERMINAL	1		
	96	QYSDSP3008Z	SCREW	1		

Parts list (General assembly)

Block No. M1MM

△	Item	Parts number	Parts name	Q'ty	Description	Area
	97	LV42244-001A	ANT.HOLDER	1		
	98	QYSBSF3010Z	SCREW	2	FOR ANT HOLDER	
	99	LV42379-201A	ANTENA HOLDER	1		
	100	LV32539-001A	LCD HOLDER	1		
	101	LV32540-001A	LENS	1		
	102	LV42193-001A	SHEET	1		
	103	QYSBSF3010Z	SCREW	4	FOR POWER PWB	
	104	VKZ4001-111S	WIRE CLAMP	2		
	105	QYSBSF3010Z	SCREW	2		
	106	QYSBSF3010Z	SCREW	4	FOR TU.PWB	
	107	LV32542-001A	HEAT SINK	1		
	108	LV42563-001A	WIRE	1		
	109	QYSBSFG3008Z	T.SCREW	1		
	110	QYSBSF3010Z	SCREW	3	FOR IC	
	111	LV32986-001A	HEAT SINK 2	1		
	112	QYSBSF3010Z	SCREW	2		
	113	LV32543-001A	JACK HOLDER	1		
	114	QYSBSF3010Z	SCREW	3		
	115	QYSBSF3010M	T.SCREW	2	FOR JACK HOLDER	
	116	LV20977-001A	PWB HOLDER	1		
	117	QYSBSF3010Z	SCREW	4	FOR PWB HOLDER	
	118	QYSBSF3010Z	SCREW	2	FOR SW.PWB	
	119	QYSBSF3010Z	SCREW	2	FOR MICON PWB	
	120	QYSBSF3010Z	SCREW	6	FOR FUNCTION PWB	
	121	QYSBSF3010Z	SCREW	1	FOR REMOCON PWB	
	122	E65923-003	TAPPING SCREW	2		
	123	QYSBSF3040Z	SCREW	9	FRONT+REAR	
	124	QYSBSF3016M	SCREW	3	REAR+CD UNIT	
	127	-----	C.MECHA ASS'Y	1		
	128	VKL7850-002	EJECT SAFTY(R)	1		
	129	VKW5258-003	TORSION SPRING	1		
	130	LV32544-001A	MECHA BRACKET	1		
	131	QYSDST3008Z	SCREW	1	FOR MECHA BKT	
	132	LV32545-001A	EJECT ARM	1		
	133	VKZ4341-204	SPECIAL SCREW	1	FOR EJECT ARM	
	134	LV42194-001A	SPRING	1		
	135	QYSBSF3016Z	SCREW	4	REAR+SLC	
	136	LV32962-001A	HEAD SHILD	1		
	137	LV32546-004A	RATING LABEL	1	FOR B.E.EN	
	138	QYSBSF3008M	SCREW	1		
	139	WJJ0034-014A	E-SI C WIRE C-C	1	SPK	
	140	QUQ412-0706DJ	FFC WIRE	1	MICOM-MAIN SW	
	141	QUQ412-0909CJ	FFC WIRE	1	FUNCTION-CD	
	142	QUQ412-0920CJ	FFC WIRE	1	FUNCTION-TUNER	
	143	QUQ412-0910DJ	FFC WIRE	1	FUNCTION-SLC	
	144	QUQ412-1010DJ	FFC WIRE	1	FUNCTION-SLC	
	145	QUQ412-1807CJ	FFC WIRE	1	FUNCTION-MICOM	
	146	QUQ412-1707CJ	FFC WIRE	1	FUNCTION-MICOM	
	147	QUM022-07Z3Z3	PARA RIBON WIRE	1	FW616-FW626	
	148	QUM022-10Z3Z3	PARA RIBON WIRE	1	FW915-FW925	
	149	VND4118-003	CAUTION LABEL	1		
	150	LV42519-002A	CAUTION LABEL	1		
	151	LV41782-001A	SHIELD	1		

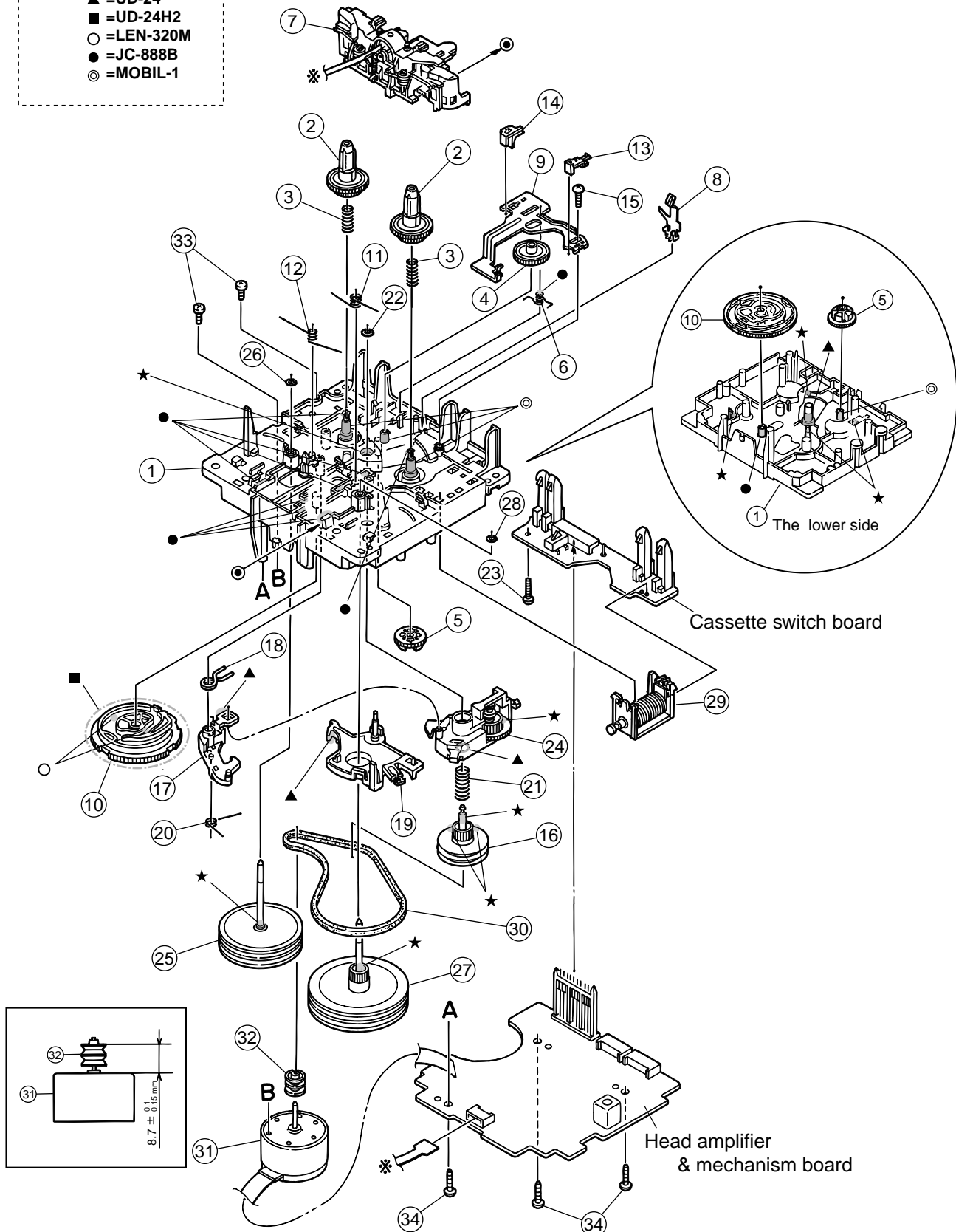
Cassette mechanism assembly and parts list

SLC-S31M

Block No. M 2 M M

Grease

- ★ =EM-30L
- ▲ =UD-24
- =UD-24H2
- =LEN-320M
- =JC-888B
- ◎ =MOBIL-1



Parts list (Cassette mechanism)

Block No. M2MM

△	Item	Parts number	Parts name	Q'ty	Description	Area
	1	VKS1165-00J	CHASSIS B.ASS'Y	1		
	2	VKS2274-002	REEL GEAR	2		
	3	VKW5286-002	B.T. SPRING	2		
	4	VKS5559-001	PLAY IDLE GEAR	1		
	5	VKS5597-00B	BLIND	1		
	6	VKW5296-001	EARTH SPRING	1		
	7	SLC-RP1SVM	HEAD MOUNT ASSY	1		
	8	VKY3149-002	CASSETTE SP.	1		
	9	LV31786-001A	PLAY SW LEVER	1		
	10	VKS1166-003	CONTROL CAM	1		
	11	VKW5279-001	HEAD BASE SP(R)	1		
	12	VKW5280-001	HEAD BASE SP(L)	1		
	13	LV41584-001A	BRAKE(R)	1		
	14	LV41585-002A	BRAKE(L)	1		
	15	QYSBSF2005Z	T.SCREW	1		
	16	VKS5603-00G	MAIN PULLEY ASY	1		
	17	VKS3785-001MM	FR ARM	1		
	18	VKW5284-002	SWING SPRING	1		
	19	VKS2278-003	TRIGGER ARM	1		
	20	VKW5301-001	FR SPRING	1		
	21	VKW5266-001	ELEVATOR SPRING	1		
	22	WDL214025	WASHER	1		
	23	QYSBSF2005Z	T.SCREW	1		
	24	VKS3786-00G	CLUTCH ASS'Y	1		
	25	VKF3205-00B	F.WHEEL ASSY(R)	1		
	26	WDL183425	SLIT WASHER	1		
	27	VKF3207-00B	F.WHEEL ASSY(L)	1		
	28	WDL173525-6	SLIT WASHER	1		
	29	VKZ3174-00A	DC SOLENOID	1		
	30	LV42234-001A	CAPSTAN BELT	1		
	31	MSI-5U2LWA	D.C.MOTOR ASS'Y	1		
	32	VKR4761-001	MOTOR PULLEY	1		
	33	QYSPSP2604Z	SCREW	2		
	34	QYSBSF2608Z	T.SCREW	3	FOR P.W.B.	

■ Electrical parts list (Main board)

Block No. 01

△	Item	Parts number	Parts name	Remarks	Area	△	Item	Parts number	Parts name	Remarks	Area
	BS401	VYH5483-101	SPRING	FOR UM-1			C5203	QETN1HM-105Z	E CAPACITOR	1.0MF 20% 50V	
	BS402	VYH5483-101	SPRING	FOR UM-1			C5204	QETN1HM-105Z	E CAPACITOR	1.0MF 20% 50V	
	BS403	VYH5483-101	SPRING	FOR UM-1			C5223	QFLC1HJ-123Z	M CAPACITOR	.012MF 5% 50V	
	BS404	VYH5483-101	SPRING	FOR UM-1			C5231	QFLC1HJ-272Z	M.CAPA. I.M	2700PF 5% 50V	
	CN 43	QGF1205F1-09	CONNECTOR	FOR SLC			C5232	QFLC1HJ-104Z	M CAPACITOR	.10MF 5% 50V	
	CN 44	QGF1205F1-10	CONNECTOR	FOR SLC			C5233	QFLC1HJ-104Z	M CAPACITOR	.10MF 5% 50V	
	CN 91	QGF1205C1-09	CONNECTOR	FOR TUNER			C5235	QTE1H06-475Z	E CAPACITOR		
	CN341	QGB2510J1-09	CONNECTOR	FOR DC			C5255	QETN1AM-226Z	E CAPACITOR	22MF 20% 10V	
	CN361	QGF1205C1-05	CONNECTOR	FOR CD			C5271	NCS31HJ-681X	C.CAPA. C.M		
	CN371	QGB1214J1-06S	CONNECTOR	FOR HP AUX			C5301	QETN1CM-107Z	E CAPACITOR	100MF 20% 16V	
	CN375	QGB1214J1-06S	CONNECTOR	FOR MIC			C5302	QETN1EM-106Z	E CAPACITOR	10MF 20% 25V	
	CN381	QGF1205C1-18	FFC/FPC CONNE	FOR MICOM			C5351	QETN1CM-226Z	E CAPACITOR	22MF 20% 16V	
	CN382	QGF1205C1-17	CONNECTOR	FOR MICOM			C7031	QETN1CM-107Z	E CAPACITOR	100MF 20% 16V	
	CN401	QGA2501F1-04	CONNECTOR				C7032	QETN1EM-476Z	E CAPACITOR	47MF 20% 25V	
	CN402	QGB2510K2-05	CONNECTOR				C7101	QETN1HM-105Z	E CAPACITOR	1.0MF 20% 50V	
	CN701	QGB1214K1-06S	CONNECTOR				C7102	NCS31HJ-151X	C CAPACITOR		
	CN711	QGA2501C1-04	4P CONNECTOR				C7103	NCS31HJ-8R0X	C CAPACITOR		
	C2101	QFVJ1HJ-124Z	MF CAPACITOR	.12MF 5% 50V			C7104	QETN1AM-107Z	E CAPACITOR	100MF 20% 10V	
	C2102	QFVJ1HJ-124Z	MF CAPACITOR	.12MF 5% 50V			C7201	QETN1HM-105Z	E CAPACITOR	1.0MF 20% 50V	
	C2103	QTE1E06-226Z	E CAPACITOR				C7202	NCS31HJ-151X	C CAPACITOR		
	C2104	QFN31HJ-821Z	M.CAPA.IM	820PF 5% 50V			C7203	NCS31HJ-8R0X	C CAPACITOR		
	C2105	QFVJ1HJ-564Z	MF CAPACITOR	.56MF 5% 50V			C7204	QETN1AM-107Z	E CAPACITOR	100MF 20% 10V	
	C2201	QFVJ1HJ-124Z	MF CAPACITOR	.12MF 5% 50V			C7351	QETN1HM-106Z	E CAPACITOR	10MF 20% 50V	
	C2202	QFVJ1HJ-124Z	MF CAPACITOR	.12MF 5% 50V			C8002	QEK1CM-476Z	E.CAPACITOR	47MF 20% 16V	
	C2203	QTE1E06-226Z	E CAPACITOR				D2301	MTZJ4.3B-T2	ZENER DIODE		
	C2204	QFN31HJ-821Z	M.CAPA.IM	820PF 5% 50V			D2302	1SS133-T2	SI DIODE IM		
	C2205	QFVJ1HJ-564Z	MF CAPACITOR	.56MF 5% 50V			D2303	1SS133-T2	SI DIODE IM		
	C2301	QETN1CM-476Z	E CAPACITOR	47MF 20% 16V			D2813	1SS133-T2	SI DIODE IM		
	C2302	QTE1C06-476Z	E CAPACITOR				D3061	1SS133-T2	SI DIODE IM		
	C2303	QETN1HM-105Z	E CAPACITOR	1.0MF 20% 50V			D3063	MTZJ3.0B-T2	Z.DIODE I.M		
	C2701	QETN1HM-106Z	E CAPACITOR	10MF 20% 50V			D3501	MTZJ3.9B-T2	ZENER DIODE		
	C2801	QETN1AM-226Z	E CAPACITOR	22MF 20% 10V			D3502	1SS133-T2	SI DIODE IM		
	C2811	QETN1HM-106Z	E CAPACITOR	10MF 20% 50V			D3503	1SS133-T2	SI DIODE IM		
	C3002	QFVF1HJ-334Z	MF CAPACITOR	.33MF 5% 50V			D3631	MTZJ6.2B-T2	ZENER DIODE		
	C3004	QETN1CM-476Z	E CAPACITOR	47MF 20% 16V			D3632	ERA18-04-T1	FR DIODE		
	C3011	NCB31HK-103X	C CAPACITOR				D3633	1SS133-T2	SI DIODE IM		
	C3021	QETN1HM-475Z	E CAPACITOR	4.7MF 20% 50V			D3641	MTZJ5.1C-T2	ZENER DIODE		
	C3501	QETN1AM-107Z	E CAPACITOR	100MF 20% 10V			D3642	1SS133-T2	SI DIODE IM		
	C3511	QETN1HM-475Z	E CAPACITOR	4.7MF 20% 50V			D3643	1SS133-T2	SI DIODE IM		
	C3621	QETN1HM-475Z	E CAPACITOR	4.7MF 20% 50V			D3651	MTZJ3.9B-T2	ZENER DIODE		
	C3622	QETN1EM-227Z	E CAPACITOR	220MF 20% 25V			D3811	MTZJ8.2B-T2	DIODE		
	C3631	NCS31HJ-221X	C.CAPA. C.M				D3821	1SS133-T2	SI DIODE IM		
	C3632	QTMN1EM-107Z	E.CAPA.				D3822	1SS133-T2	SI DIODE IM		
	C3633	NCS31HJ-221X	C.CAPA. C.M				D4001	1N5401-TM	DIODE		
	C3634	NCB31HK-102X	C CAPACITOR				D4002	1N5401-TM	DIODE		
	C3641	NCB31HK-222X	C CAPACITOR				FW301	QJK019-061501	SIN CR C-B WIRE	FUNCTION-P.AMP	
	C3652	QTE1C06-476Z	E CAPACITOR				FW311	QJK009-071502	SIN CR C-B WIRE	FUNCTION-P.AMP	
	C3801	QFLC1HJ-104Z	M CAPACITOR	.10MF 5% 50V			FW401	QJK017-041504	SIN CR C-B WIRE	DC JACK-BATTERY	
	C3811	QETN1AM-107Z	E CAPACITOR	100MF 20% 10V			FW701	QJK009-042806	SIN CR C-B WIRE	FUNCTION-HP JAC	
	C4001	NCB31HK-103X	C CAPACITOR				FW923	QJK025-031103	SIN CR C-B WIRE	MICOM-REMOOCON	
	C5101	QETN1HM-105Z	E CAPACITOR	1.0MF 20% 50V			F4001	QMF51W2-5R0-J8	FUSE	DC	
	C5102	QTE1H28-475Z	E CAPACITOR				HS301	E70306-001	HEAT SINK		
	C5103	QETN1HM-105Z	E CAPACITOR	1.0MF 20% 50V			IC201	BA15218F-XE	IC	BB AMP	
	C5104	QETN1HM-105Z	E CAPACITOR	1.0MF 20% 50V			IC301	KIA78R08PI	IC		
	C5123	QFLC1HJ-123Z	M CAPACITOR	.012MF 5% 50V			IC381	KIA78DL06PI	IC		
	C5131	QFLC1HJ-272Z	M.CAPA. I.M	2700PF 5% 50V			IC501	LC75342	IC		
	C5132	QFLC1HJ-104Z	M CAPACITOR	.10MF 5% 50V			IC701	BA15218F-XE	IC		
	C5133	QFLC1HJ-104Z	M CAPACITOR	.10MF 5% 50V			IC802	GP1U281X	IC	REMOOCON	
	C5135	QTE1H06-475Z	E CAPACITOR				J4001	QNA0016-001	DC JACK		
	C5155	QETN1AM-226Z	E CAPACITOR	22MF 20% 10V			J7001	QNS0188-001	JACK		
	C5171	NCS31HJ-681X	C.CAPA. C.M				J7002	QNS0047-001	JACK		
	C5201	QETN1HM-105Z	E CAPACITOR	1.0MF 20% 50V			K4001	QQR0779-001Z	INDUCTOR		
	C5202	QTE1H28-475Z	E CAPACITOR				L3631	QQL28AK-101	CHOKE COIL		

■ Electrical parts list (Main board)

Block No. 01

△	Item	Parts number	Parts name	Remarks	Area	△	Item	Parts number	Parts name	Remarks	Area
	L5351	QQL244K-100Z	INDUCTOR				R2701	NRSA63J-153X	MG RESISTOR		
	Q2101	2SC2412K/R/-X	TRANSISTOR				R2802	NRSA63J-472X	MG RESISTOR		
	Q2103	2SC2412K/R/-X	TRANSISTOR				R3011	NRSA63J-104X	MG RESISTOR		
	Q2171	2SD2114K/VW/-X	CHIP TRANSISTOR				R3021	NRSA63J-681X	MG RESISTOR		
	Q2201	2SC2412K/R/-X	TRANSISTOR				R3022	NRSA63J-103X	MG RESISTOR		
	Q2203	2SC2412K/R/-X	TRANSISTOR				R3023	NRSA63J-223X	MG RESISTOR		
	Q2271	2SD2114K/VW/-X	CHIP TRANSISTOR				R3024	NRSA63J-473X	MG RESISTOR		
	Q2701	DTA114EKA-X	DIGITAL.TRANSIS				R3061	NRSA63J-683X	MG RESISTOR		
	Q2811	DTA114EKA-X	DIGITAL.TRANSIS				R3062	NRSA63J-393X	MG RESISTOR		
	Q3002	KTB772Y/I	TRANSISTOR				R3501	QRE141J-390Y	C RESISTOR	39 5% 1/4W	
	Q3003	2SC2412K/R/-X	TRANSISTOR				R3502	NRSA63J-102X	MG RESISTOR		
△	Q3501	2SA1037AK/RS/-X	TRANSISTOR	TUNER SW			R3611	NRSA63J-473X	MG RESISTOR		
	Q3511	2SC2412K/R/-X	TRANSISTOR				R3612	NRSA63J-152X	MG RESISTOR		
△	Q3571	DTC144TKA-X	TRANSISTOR				R3621	NRSA63J-473X	MG RESISTOR		
	Q3572	DTC144TKA-X	TRANSISTOR				R3622	NRSA63J-103X	MG RESISTOR		
△	Q3611	KTB772Y/I	TRANSISTOR				R3631	NRSA63J-273X	MG RESISTOR		
	Q3621	2SC2412K/R/-X	TRANSISTOR				R3632	NRSA63J-103X	MG RESISTOR		
△	Q3631	2SA934/QR/-T	TRANSISTOR				R3641	NRSA63J-472X	MG RESISTOR		
	Q3632	2SC2785/FE/-T	TRANSISTOR				R3642	NRSA63J-822X	MG RESISTOR		
	Q3642	2SC2412K/R/-X	TRANSISTOR				R3643	NRSA63J-104X	MG RESISTOR		
△	Q3651	2SD468/BC/-T	TRANSISTOR				R3644	NRSA63J-224X	MG RESISTOR		
	Q5151	2SD2114K/VW/-X	CHIP TRANSISTOR				R3651	QRE141J-221Y	C RESISTOR	220 5% 1/4W	
	Q5251	2SD2114K/VW/-X	CHIP TRANSISTOR				R3801	QRZ9006-4R7X	F RESISTOR	4.7 1/0W	
	Q7101	2SD2114K/VW/-X	CHIP TRANSISTOR				R4001	NRSA63J-473X	MG RESISTOR		
	Q7102	2SD2114K/VW/-X	CHIP TRANSISTOR				R4002	NRSA63J-154X	MG RESISTOR		
	Q7201	2SD2114K/VW/-X	CHIP TRANSISTOR				R5101	NRSA63J-202X	MG RESISTOR		
	Q7202	2SD2114K/VW/-X	CHIP TRANSISTOR				R5111	NRSA63J-362X	MG RESISTOR		
	Q7351	DTC114EKA-X	TRANSISTOR				R5151	NRSA63J-223X	MG RESISTOR		
	Q7352	DTA114EKA-X	DIGITAL.TRANSIS				R5153	NRSA63J-562X	MG RESISTOR		
	R2101	NRSA63J-432X	MG RESISTOR				R5155	NRSA63J-822X	MG RESISTOR		
	R2102	NRSA63J-822X	MG RESISTOR				R5157	NRSA63J-392X	MG RESISTOR		
	R2103	NRSA63J-390X	MG RESISTOR				R5161	NRSA63J-103X	MG RESISTOR		
	R2104	NRSA63J-154X	MG RESISTOR				R5172	NRSA63J-273X	MG RESISTOR		
	R2105	NRSA63J-101X	MG RESISTOR				R5201	NRSA63J-202X	MG RESISTOR		
	R2106	NRSA63J-153X	MG RESISTOR				R5211	NRSA63J-362X	MG RESISTOR		
	R2107	NRSA63J-153X	MG RESISTOR				R5251	NRSA63J-223X	MG RESISTOR		
	R2108	NRSA63J-122X	MG RESISTOR				R5253	NRSA63J-562X	MG RESISTOR		
	R2109	NRSA63J-474X	MG RESISTOR				R5255	NRSA63J-822X	MG RESISTOR		
	R2111	NRSA63J-224X	MG RESISTOR				R5257	NRSA63J-392X	MG RESISTOR		
	R2113	NRSA63J-822X	MG RESISTOR				R5261	NRSA63J-103X	MG RESISTOR		
	R2114	NRSA63J-332X	MG RESISTOR				R5272	NRSA63J-273X	MG RESISTOR		
	R2117	NRSA63J-103X	MG RESISTOR				R5301	QRZ9005-100X	F.RES 1/M	10 1/0W	
	R2171	NRSA63J-562X	MG RESISTOR				R7031	QRE141J-101Y	C RESISTOR	100 5% 1/4W	
	R2172	NRSA63J-102X	MG RESISTOR				R7032	QRE141J-101Y	C RESISTOR	100 5% 1/4W	
	R2201	NRSA63J-432X	MG RESISTOR				R7033	NRSA63J-102X	MG RESISTOR		
	R2202	NRSA63J-822X	MG RESISTOR				R7034	NRSA63J-122X	MG RESISTOR		
	R2203	NRSA63J-390X	MG RESISTOR				R7101	NRSA63J-103X	MG RESISTOR		
	R2204	NRSA63J-154X	MG RESISTOR				R7103	NRSA63J-102X	MG RESISTOR		
	R2205	NRSA63J-101X	MG RESISTOR				R7105	NRSA63J-224X	MG RESISTOR		
	R2206	NRSA63J-153X	MG RESISTOR				R7106	NRSA63J-273X	MG RESISTOR		
	R2207	NRSA63J-153X	MG RESISTOR				R7107	NRSA63J-393X	MG RESISTOR		
	R2208	NRSA63J-122X	MG RESISTOR				R7108	NRSA63J-220X	MG RESISTOR		
	R2209	NRSA63J-474X	MG RESISTOR				R7109	NRSA63J-222X	MG RESISTOR		
	R2211	NRSA63J-224X	MG RESISTOR				R7110	NRSA63J-102X	MG RESISTOR		
	R2213	NRSA63J-822X	MG RESISTOR				R7151	NRSA63J-0R0X	MG RESISTOR		
	R2214	NRSA63J-332X	MG RESISTOR				R7152	NRSA63J-183X	MG RESISTOR		
	R2217	NRSA63J-103X	MG RESISTOR				R7154	NRSA63J-393X	MG RESISTOR		
	R2271	NRSA63J-562X	MG RESISTOR				R7201	NRSA63J-103X	MG RESISTOR		
	R2272	NRSA63J-102X	MG RESISTOR				R7203	NRSA63J-102X	MG RESISTOR		
	R2301	QRE141J-101Y	C RESISTOR	100 5% 1/4W			R7205	NRSA63J-224X	MG RESISTOR		
	R2302	NRSA63J-152X	MG RESISTOR				R7206	NRSA63J-273X	MG RESISTOR		
	R2303	NRSA63J-104X	MG RESISTOR				R7207	NRSA63J-393X	MG RESISTOR		
	R2304	NRSA63J-682X	MG RESISTOR				R7208	NRSA63J-220X	MG RESISTOR		

■ Electrical parts list (Main board)

Block No. 01

⚠	Item	Parts number	Parts name	Remarks	Area
	R7209	NRSA63J-222X	MG RESISTOR		
	R7210	NRSA63J-102X	MG RESISTOR		
	R7251	NRSA63J-0R0X	MG RESISTOR		
	R7252	NRSA63J-183X	MG RESISTOR		
	R7254	NRSA63J-393X	MG RESISTOR		
	R7351	NRSA63J-472X	MG RESISTOR		
	R7352	NRSA63J-473X	MG RESISTOR		
	R7353	NRSA63J-223X	MG RESISTOR		
	R8301	NRSA63J-470X	MG RESISTOR		
⚠	Z4001	QNG0020-001Z	FUSE CLIP	FOR F4001	
⚠	Z4011	QNG0020-001Z	FUSE CLIP	FOR F4001	

■ Electrical parts list (Micom board)

Block No. 02

▲	Item	Parts number	Parts name	Remarks	Area	▲	Item	Parts number	Parts name	Remarks	Area
	CN101	QGA2501C1-06	6P CONNECTOR				C9043	NCS31HJ-221X	C.CAPA. C.M		
	CN102	QGA2501C1-04	4P CONNECTOR				C9045	NCB31HK-102X	C CAPACITOR		
	CN103	QGA2501C1-07	7P CONNECTOR				C9046	NCB31HK-103X	C CAPACITOR		
	CN112	QGB2501K1-04	CONNECTOR				C9101	QEZ0229-479Z	EDL.CAPACITOR	47000MF	
	CN421	QGF1205F1-18	CONNECTOR	TO MAIN			C9213	NCB31CK-823X	C CAPACITOR		
	CN422	QGF1205F1-17	CONNECTOR	TO MAIN			C9214	NCB31CK-823X	C CAPACITOR		
	CN751	QGB1214K1-06S	CONNECTOR				C9401	QEK1CM-106Z	E CAPACITOR	10MF 20% 16V	
	CN911	QGF1205F1-07	CONNECTOR	TO MAIN SW			C9402	QEK1HM-225Z	E CAPACITOR	2.2MF 20% 50V	
	CN913	QGA2501C1-03	3P CONNECTOR	TO REMOCON			D1901	QLD0171-001	LCD MODULE		
	CN921	QGF1205F1-07	CONNECTOR	TO MICON		▲	D1001	ERA18-04-T1	FR DIODE		
	C1001	QETM1EM-478	E CAPACITOR	4700MF 20% 25V			D1021	1SS133-T2	SI DIODE IM		
	C1002	QEX61EM-225Z	E CAPACITOR	2.2MF 20% 25V			D2304	1SS133-T2	SI DIODE IM		
	C1011	NCB31HK-152X	C CAPACITOR				D2305	1SS133-T2	SI DIODE IM		
	C1031	QTE1E28-107Z	E CAPACITOR				D2404	1SS133-T2	SI DIODE IM		
	C1032	QEK1EM-336Z	E CAPACITOR	33MF 20% 25V			D2405	1SS133-T2	SI DIODE IM		
	C1033	QETN1HM-106Z	E CAPACITOR	10MF 20% 50V			D8001	SLR-342VR-T	LED I.M	STAND-BY LED	
	C1091	NCB31EK-473X	C CAPACITOR				D8201	TLYH156P	LED	BACK LIGHT LED	
	C1092	NCB31EK-473X	C CAPACITOR				D8202	TLYH156P	LED	BACK LIGHT LED	
	C1093	NCB31EK-473X	C CAPACITOR				D9001	1SS133-T2	SI DIODE IM		
	C1101	QTE1H06-475Z	E CAPACITOR				D9002	MTZJ5.1C-T2	ZENER DIODE		
	C1102	NCS31HJ-151X	C CAPACITOR				D9112	1SS133-T2	SI DIODE IM		
	C1103	QFVF1HJ-104Z	MF CAPACITOR	.10MF 5% 50V			D9211	MA152WA-X	DIODE		
	C1104	QFVF1HJ-104Z	MF CAPACITOR	.10MF 5% 50V			D9401	1SS133-T2	SI DIODE IM		
	C1111	QETN1CM-476Z	E CAPACITOR	47MF 20% 16V			FW111	QJK017-041207	SIN CR C-B WIRE	SPK.CONNECT-P.A	
	C1112	QETN1CM-476Z	E CAPACITOR	47MF 20% 16V			FW914	QJK021-080603	SIN CR C-B WIRE	CD-MICOM	
	C1201	QTE1H06-475Z	E CAPACITOR			▲	IC101	LA4905	IC		
	C1202	NCS31HJ-151X	C CAPACITOR				IC801	GP1U281X	IC	REMOCON	
	C1203	QFVF1HJ-104Z	MF CAPACITOR	.10MF 5% 50V			IC901	MN101C38CHX	IC	MICON LSI	
	C1204	QFVF1HJ-104Z	MF CAPACITOR	.10MF 5% 50V			K9001	QQR1183-001Z	F.BEADS I.M		
	C1211	QETN1CM-476Z	E CAPACITOR	47MF 20% 16V		▲	L1001	QQR1202-001	CHOKE COIL		
	C1212	QETN1CM-476Z	E CAPACITOR	47MF 20% 16V			L9001	QQL244K-100Z	INDUCTOR		
	C2304	NCB31AK-474X	C CAPACITOR				L9002	QQL244K-100Z	INDUCTOR		
	C2305	NCB31AK-474X	C CAPACITOR			▲	Q1001	KTC2028/Y/	TRANSISTOR		
	C2404	NCB31AK-474X	C CAPACITOR				Q1011	2SA1037AK/RS/-X	TRANSISTOR		
	C2405	NCB31AK-474X	C CAPACITOR				Q1012	2SC2412K/R/-X	TRANSISTOR		
	C8001	QER61CM-476Z	E CAPACITOR	47MF 20% 16V			Q1021	2SA1037AK/RS/-X	TRANSISTOR		
	C9002	NCB31HK-102X	C CAPACITOR				Q1022	2SD2114K/VW/-X	CHIP TRANSISTOR		
	C9003	NCB31HK-102X	C CAPACITOR				Q9001	KTC3195/O/-T	TRANSISTOR	OSCILATOR	
	C9005	NCB31HK-103X	C CAPACITOR				Q9002	KTC3195/O/-T	TRANSISTOR	OSCILATOR	
	C9006	NCS31HJ-680X	C.CAPA. C.M				Q9003	DTC144TKA-X	TRANSISTOR	BUP SW	
	C9007	NCS31HJ-331X	C.CAPA. C.M				Q9005	2SC2412K/R/-X	TRANSISTOR	AC/DC	
	C9008	NCB31EK-104X	C CAPACITOR				Q9006	2SC2412K/R/-X	TRANSISTOR	LED CON.	
	C9013	NCS31HJ-151X	C CAPACITOR				Q9010	2SA1037AK/RS/-X	TRANSISTOR	BCTL	
	C9014	NCS31HJ-151X	C CAPACITOR				Q9021	DTC114YKA-X	CHIP D.TRANSIST	5-3 CHANGE	
	C9015	NCS31HJ-151X	C CAPACITOR				Q9022	DTC114YKA-X	CHIP D.TRANSIST	5-3 CHANGE	
	C9016	NCS31HJ-151X	C CAPACITOR				Q9023	DTC114YKA-X	CHIP D.TRANSIST	5-3 CHANGE	
	C9017	NCS31HJ-151X	C CAPACITOR				Q9024	DTC114YKA-X	CHIP D.TRANSIST	5-3 CHANGE	
	C9018	NCS31HJ-151X	C CAPACITOR				Q9025	DTC114YKA-X	CHIP D.TRANSIST	5-3 CHANGE	
	C9019	NCB31HK-102X	C CAPACITOR				Q9054	DTA124XKA-X	CHIP D.TR.C.M	POWER LED	
	C9022	NCB31HK-103X	C CAPACITOR				Q9401	DTC143TKA-X	DIGI TRANSISTOR		
	C9024	NCB31HK-103X	C CAPACITOR			▲	R1001	QRZ9006-4R7X	F RESISTOR	4.7 1/0W	
	C9025	NCB31HK-103X	C CAPACITOR			▲	R1002	QRZ9006-4R7X	F RESISTOR	4.7 1/0W	
	C9026	QEK1AM-107Z	E.CAPACITOR	100MF 20% 10V			R1012	NRSA63J-103X	MG RESISTOR		
	C9029	NCS31HJ-220X	C CAPACITOR				R1013	NRSA63J-682X	MG RESISTOR		
	C9030	NCS31HJ-820X	C CAPACITOR				R1014	NRSA63J-332X	MG RESISTOR		
	C9031	NDC31HJ-360X	C CAPACITOR				R1021	QAD0015-153Z	THERMISTOR		
	C9032	NDC31HJ-360X	C CAPACITOR				R1022	NRSA63J-562X	MG RESISTOR		
	C9033	NCS31HJ-820X	C CAPACITOR				R1023	NRSA63J-202X	MG RESISTOR		
	C9034	NCB31HK-102X	C CAPACITOR				R1024	NRSA63J-822X	MG RESISTOR		
	C9035	NCS31HJ-220X	C CAPACITOR				R1026	NRSA63J-102X	MG RESISTOR		
	C9040	NCS31HJ-102X	C CAPACITOR				R1027	NRSA63J-102X	MG RESISTOR		
	C9041	NCB31HK-102X	C CAPACITOR				R1031	NRSA63J-223X	MG RESISTOR		
	C9042	NCS31HJ-221X	C.CAPA. C.M				R1101	QRE141J-2R2Y	C RESISTOR	2.2 5% 1/4W	

■ Electrical parts list (Micom board)

Block No. 02

△	Item	Parts number	Parts name	Remarks	Area
	R1102	QRE141J-2R2Y	C RESISTOR	2.2 5% 1/4W	
	R1111	NRSA63J-152X	MG RESISTOR		
	R1112	NRSA63J-152X	MG RESISTOR		
	R1201	QRE141J-2R2Y	C RESISTOR	2.2 5% 1/4W	
	R1202	QRE141J-2R2Y	C RESISTOR	2.2 5% 1/4W	
	R1211	NRSA63J-152X	MG RESISTOR		
	R1212	NRSA63J-152X	MG RESISTOR		
	R2305	NRSA63J-152X	MG RESISTOR		
	R2306	NRSA63J-152X	MG RESISTOR		
	R2405	NRSA63J-152X	MG RESISTOR		
	R2406	NRSA63J-152X	MG RESISTOR		
	R8001	NRSA63J-512X	MG RESISTOR		
	R8002	NRSA63J-182X	MG RESISTOR		
	R8003	NRSA63J-102X	MG RESISTOR		
	R8004	NRSA63J-561X	MG RESISTOR		
	R8005	NRSA63J-391X	MG RESISTOR		
	R8006	NRSA63J-271X	MG RESISTOR		
	R8007	NRSA63J-221X	MG RESISTOR		
	R8008	NRSA63J-181X	MG RESISTOR		
	R8009	NRSA63J-121X	MG RESISTOR		
	R8010	NRSA63J-101X	MG RESISTOR		
	R8011	NRSA63J-101X	MG RESISTOR		
	R8020	NRSA63J-121X	MG RESISTOR		
	R8021	NRSA63J-151X	MG RESISTOR		
	R8201	NRSA63J-470X	MG RESISTOR		
	R9001	NRSA63J-104X	MG RESISTOR		
	R9002	NRSA63J-104X	MG RESISTOR		
	R9003	NRSA63J-104X	MG RESISTOR		
	R9004	NRSA63J-333X	MG RESISTOR		
	R9005	NRSA63J-104X	MG RESISTOR		
	R9006	NRSA63J-224X	MG RESISTOR		
	R9007	NRSA63J-222X	MG RESISTOR		
	R9008	NRSA63J-103X	MG RESISTOR		
	R9009	NRSA63J-222X	MG RESISTOR		
	R9010	NRSA63J-222X	MG RESISTOR		
	R9011	NRSA63J-222X	MG RESISTOR		
	R9013	NRSA63J-222X	MG RESISTOR		
	R9014	NRSA63J-222X	MG RESISTOR		
	R9015	NRSA63J-102X	MG RESISTOR		
	R9018	NRSA63J-103X	MG RESISTOR		
	R9020	NRSA63J-682X	MG RESISTOR		
	R9021	NRSA63J-433X	MG RESISTOR		
	R9022	NRSA63J-473X	MG RESISTOR		
	R9024	NRSA63J-222X	MG RESISTOR		
	R9025	NRSA63J-822X	MG RESISTOR		
	R9026	NRSA63J-103X	MG RESISTOR		
	R9027	NRSA63J-222X	MG RESISTOR		
	R9028	NRSA63J-822X	MG RESISTOR		
	R9030	NRSA63J-472X	MG RESISTOR		
	R9031	NRSA63J-102X	MG RESISTOR		
	R9032	NRSA63J-102X	MG RESISTOR		
	R9033	NRSA63J-102X	MG RESISTOR		
	R9034	NRSA63J-103X	MG RESISTOR		
	R9035	NRSA63J-222X	MG RESISTOR		
	R9036	NRSA63J-102X	MG RESISTOR		
	R9037	NRSA63J-222X	MG RESISTOR		
	R9038	NRSA63J-222X	MG RESISTOR		
	R9039	NRSA63J-102X	MG RESISTOR		
	R9040	NRSA63J-332X	MG RESISTOR		
	R9043	NRSA63J-102X	MG RESISTOR		
	R9044	NRSA63J-103X	MG RESISTOR		
	R9045	NRSA63J-103X	MG RESISTOR		
	R9046	NRSA63J-103X	MG RESISTOR		

△	Item	Parts number	Parts name	Remarks	Area
	R9048	NRSA63J-472X	MG RESISTOR		
	R9050	NRSA63J-222X	MG RESISTOR		
	R9051	NRSA63J-103X	MG RESISTOR		
	R9052	NRSA63J-102X	MG RESISTOR		
	R9053	NRSA63J-102X	MG RESISTOR		
	R9054	NRSA63J-102X	MG RESISTOR		
	R9055	NRSA63J-102X	MG RESISTOR		
	R9056	NRSA63J-222X	MG RESISTOR		
	R9057	NRSA63J-153X	MG RESISTOR		
	R9060	NRSA63J-102X	MG RESISTOR		
	R9062	NRSA63J-222X	MG RESISTOR		
	R9065	NRSA63J-103X	MG RESISTOR		
	R9066	NRSA63J-103X	MG RESISTOR		
	R9067	NRSA63J-104X	MG RESISTOR		
	R9068	NRSA63J-102X	MG RESISTOR		
	R9069	NRSA63J-222X	MG RESISTOR		
	R9079	NRSA63J-562X	MG RESISTOR		
	R9081	NRSA63J-472X	MG RESISTOR		
	R9082	NRSA63J-102X	MG RESISTOR		
	R9088	NRSA63J-103X	MG RESISTOR		
	R9089	NRSA63J-104X	MG RESISTOR		
	R9090	NRSA63J-103X	MG RESISTOR		
	R9098	NRSA63J-333X	MG RESISTOR		
	R9100	NRSA63J-104X	MG RESISTOR		
	R9101	NRSA63J-104X	MG RESISTOR		
	R9108	NRSA63J-563X	MG RESISTOR		
	R9110	NRSA63J-473X	MG RESISTOR		
	R9111	NRSA63J-473X	MG RESISTOR		
	R9112	NRSA63J-473X	MG RESISTOR		
	R9113	NRSA63J-104X	MG RESISTOR		
	R9115	NRSA63J-331X	MG RESISTOR		
	R9116	NRSA63J-473X	MG RESISTOR		
	R9201	NRSA63J-243X	MG RESISTOR		
	R9202	NRSA63J-243X	MG RESISTOR		
	R9203	NRSA63J-153X	MG RESISTOR		
	R9204	NRSA63J-153X	MG RESISTOR		
	R9205	NRSA63J-153X	MG RESISTOR		
	R9206	QRE141J-151Y	C RESISTOR	150 5% 1/4W	
	R9213	NRSA63J-332X	MG RESISTOR		
	R9214	QRE141J-332Y	C RESISTOR	3.3K 5% 1/4W	
	R9215	NRSA63J-332X	MG RESISTOR		
	R9216	QRE141J-332Y	C RESISTOR	3.3K 5% 1/4W	
	R9401	NRSA63J-472X	MG RESISTOR		
	R9402	NRSA63J-103X	MG RESISTOR		
	S8001	QSW0622-001Z	TACT SWITCH	CD	
	S8002	QSW0622-001Z	TACT SWITCH	TAPE	
	S8003	QSW0622-001Z	TACT SWITCH	TUNER	
	S8004	QSW0622-001Z	TACT SWITCH	REC	
	S8005	QSW0622-001Z	TACT SWITCH	REW	
	S8006	QSW0622-001Z	TACT SWITCH	STOP/PRESET	
	S8007	QSW0622-001Z	TACT SWITCH	FF	
	S8008	QSW0622-001Z	TACT SWITCH	ASP	
	S8009	QSW0622-001Z	TACT SWITCH	AUX	
	S8010	QSW0622-001Z	TACT SWITCH	VOL -	
	S8011	QSW0622-001Z	TACT SWITCH	VOL +	
	S8020	QSW0622-001Z	TACT SWITCH	POWER	
	X9001	QAX0401-001	CRYSTAL		
	X9002	QAX0416-001Z	CERA LOCK		

■ Electrical parts list (CD servo board)

Block No. 03

△	Item	Parts number	Parts name	Remarks	Area	△	Item	Parts number	Parts name	Remarks	Area
	CN611	QGF1004F4-16	16PIN CONNECTOR				IC601	MN35530	IC		
	CN612	QGA2001C1-06	6P PLUG ASSY				IC602	MN101C30AHY1	IC		
	CN614	QGF1205F1-09	CONNECTOR				IC603	AN4801SB-W	IC		
	CN624	QGA2001C1-08	8P PLUG ASSY				IC604	AN8838SB-W	IC		
	C6101	NCB31CK-104X	C CAPACITOR				IC605	M11L1644SA-50T	IC(DRAM)		
	C6102	QEKC1AM-107Z	E.CAPACITOR	100MF 20% 10V			K6101	QQR0779-001Z	INDUCTOR		
	C6103	NCB31HK-122X	C CAPACITOR				K6102	QQR0779-001Z	INDUCTOR		
	C6104	NCB31HK-152X	C CAPACITOR				K6103	QQR0779-001Z	INDUCTOR		
	C6105	NCB31HK-152X	C CAPACITOR				L6301	QLL244K-100Z	INDUCTOR		
	C6106	NCB31HK-152X	C CAPACITOR				L6302	QLL244K-100Z	INDUCTOR		
	C6107	QEKC1CM-106Z	E CAPACITOR	10MF 20% 16V			Q6401	2SB709A/R/-X	TRANSISTOR		
	C6108	NCB31HK-223X	C CAPACITOR				R6101	NRSA63J-123X	MG RESISTOR		
	C6109	NCB31HK-223X	C CAPACITOR				R6102	NRSA63J-123X	MG RESISTOR		
	C6110	NCB31HK-561X	C CAPACITOR				R6103	NRSA63J-182X	MG RESISTOR		
	C6111	NCB31CK-104X	C CAPACITOR				R6104	NRSA63J-182X	MG RESISTOR		
	C6112	NCB31HK-223X	C CAPACITOR				R6105	NRSA63J-123X	MG RESISTOR		
	C6113	NCB31CK-104X	C CAPACITOR				R6106	NRSA63J-123X	MG RESISTOR		
	C6114	NCB31AK-224X	C CAPACITOR				R6107	NRSA63J-123X	MG RESISTOR		
	C6115	NCB31AK-474X	C CAPACITOR				R6108	NRSA63J-124X	MG RESISTOR		
	C6116	NCB31HK-103X	C CAPACITOR				R6109	NRSA63J-563X	MG RESISTOR		
	C6117	QEKC1AM-107Z	E.CAPACITOR	100MF 20% 10V			R6110	NRSA63J-563X	MG RESISTOR		
	C6118	NCB31CK-104X	C CAPACITOR				R6111	NRSA63J-563X	MG RESISTOR		
	C6119	NCB31HK-222X	C CAPACITOR			△	R6112	QRZ9006-4R7X	F RESISTOR	4.7 1/0W	
	C6120	NCB31HK-222X	C CAPACITOR				R6115	NRSA63J-104X	MG RESISTOR		
	C6121	NCB31CK-104X	C CAPACITOR				R6116	NRSA63J-104X	MG RESISTOR		
	C6122	QEKC1AM-107Z	E.CAPACITOR	100MF 20% 10V			R6118	NRSA63J-103X	MG RESISTOR		
	C6123	NDC31HJ-150X	C CAPACITOR				R6119	NRSA63J-153X	MG RESISTOR		
	C6124	NDC31HJ-150X	C CAPACITOR				R6120	NRSA63J-153X	MG RESISTOR		
	C6125	QEKC1AM-107Z	E.CAPACITOR	100MF 20% 10V			R6121	NRSA63J-153X	MG RESISTOR		
	C6126	NCB31CK-104X	C CAPACITOR				R6122	NRSA63J-273X	MG RESISTOR		
	C6127	QEKC1AM-107Z	E.CAPACITOR	100MF 20% 10V			R6123	NRSA63J-563X	MG RESISTOR		
	C6128	NCB31CK-104X	C CAPACITOR				R6124	NRSA63J-683X	MG RESISTOR		
	C6129	QCZ0205-155Z	ML C CAPACITOR	1.5MF			R6125	NRSA63J-473X	MG RESISTOR		
	C6190	QCZ0205-155Z	ML C CAPACITOR	1.5MF			R6127	NRSA63J-101X	MG RESISTOR		
	C6201	NDC31HJ-200X	C CAPACITOR				R6128	NRSA63J-473X	MG RESISTOR		
	C6202	NDC31HJ-200X	C CAPACITOR				R6129	NRSA63J-683X	MG RESISTOR		
	C6203	NCB31HK-102X	C CAPACITOR				R6130	NRSA63J-391X	MG RESISTOR		
	C6204	QCZ0205-155Z	ML C CAPACITOR	1.5MF			R6131	NRSA63J-222X	MG RESISTOR		
	C6211	NCB31HK-331X	C CAPACITOR				R6132	NRSA63J-102X	MG RESISTOR		
	C6212	NCB31HK-331X	C CAPACITOR				R6133	NRSA63J-102X	MG RESISTOR		
	C6213	NCB31HK-331X	C CAPACITOR				R6134	NRSA63J-103X	MG RESISTOR		
	C6214	NCB31HK-331X	C CAPACITOR				R6135	QRZ9006-4R7X	F RESISTOR	4.7 1/0W	
	C6215	NCB31HK-103X	C CAPACITOR				R6136	NRSA63J-104X	MG RESISTOR		
	C6301	QEKC1AM-107Z	E.CAPACITOR	100MF 20% 10V			R6137	NRSA63J-104X	MG RESISTOR		
	C6302	NCB31CK-104X	C CAPACITOR				R6138	NRSA63J-104X	MG RESISTOR		
	C6401	NCB31CK-104X	C CAPACITOR				R6201	NRSA63J-222X	MG RESISTOR		
	C6402	QEKC1CM-476Z	E.CAPACITOR	47MF 20% 16V			R6202	NRSA63J-103X	MG RESISTOR		
	C6403	NCS31HJ-181X	C CAPACITOR				R6203	NRSA63J-103X	MG RESISTOR		
	C6404	NCB31HK-821X	C CAPACITOR				R6205	NRSA63J-103X	MG RESISTOR		
	C6405	NCS31HJ-391X	C CAPACITOR				R6206	NRSA63J-222X	MG RESISTOR		
	C6406	NCB31EK-273X	C CAPACITOR				R6207	NRSA63J-103X	MG RESISTOR		
	C6407	NCB31CK-104X	C CAPACITOR				R6210	NRSA63J-103X	MG RESISTOR		
	C6408	NCB31EK-273X	C CAPACITOR				R6301	NRSA63J-393X	MG RESISTOR		
	C6409	NCB31EK-273X	C CAPACITOR				R6302	NRSA63J-223X	MG RESISTOR		
	C6410	QEKC1CM-476Z	E.CAPACITOR	47MF 20% 16V			R6303	NRSA63J-393X	MG RESISTOR		
	C6411	QEKC1CM-476Z	E.CAPACITOR	47MF 20% 16V			R6304	NRSA63J-393X	MG RESISTOR		
	C6412	NCS31HJ-560X	C CAPACITOR				R6305	NRSA63J-103X	MG RESISTOR		
	C6414	NCS31HJ-221X	C.CAPA. C.M				R6308	NRSA63J-103X	MG RESISTOR		
	C6415	QCZ0205-155Z	ML C CAPACITOR	1.5MF			R6401	NRSA63J-223X	MG RESISTOR		
	D6201	MA700A-T2	S.B.DIODE				R6402	NRSA63J-333X	MG RESISTOR		
	D6202	1SS133-T2	SI DIODE IM				R6403	NRSA63J-473X	MG RESISTOR		
	D6301	1SS133-T2	SI DIODE IM				R6404	NRSA63J-393X	MG RESISTOR		
	D6302	1SS133-T2	SI DIODE IM			△	R6405	QRZ9006-4R7X	F RESISTOR	4.7 1/0W	

■ Electrical parts list (CD servo board)

Block No. 03

△	Item	Parts number	Parts name	Remarks	Area
	R6406	NRSA63J-222X	MG RESISTOR		
	R6407	NRSA63J-682X	MG RESISTOR		
	R6408	NRSA63J-332X	MG RESISTOR		
	R6409	NRSA63J-392X	MG RESISTOR		
	R6410	NRSA63J-392X	MG RESISTOR		
	R6413	NRSA63J-820X	MG RESISTOR		
	R6414	NRSA63J-220X	MG RESISTOR		
	R6415	NRSA63J-220X	MG RESISTOR		
	S8101	QSW0122-001	PUSH SWITCH		
	X6101	QAX0599-001Z	CRYSTAL		
	X6201	QAX0416-001Z	CERA LOCK		

■ Electrical parts list (Tuner board)

Block No. 04

△	Item	Parts number	Parts name	Remarks	Area
	C 3	QCSB1HK-5R6Y	C CAPACITOR	5.6PF 10% 50V	
	C 6	QDYB1CM-103Y	C.CAPACITOR		
	C 7	QDYB1CM-103Y	C.CAPACITOR		
	C 9	QCSB1HJ-120Y	C CAPACITOR	12PF 5% 50V	
	C 13	QDX31EM-223Z	C.CAPA I.M		
	C 16	QDYB1CM-103Y	C.CAPACITOR		
	C 21	QDX31EM-473Z	C.CAPACITOR		
	C 22	QFP31HJ-431Z	PP CAPACITOR	430PF 5% 50V	
	C 23	QDCB1HJ-120Y	C CAPACITOR		
	C 30	QCBB1HK-331Y	C CAPACITOR	330PF 10% 50V	
	C 31	QDGB1HK-102Y	C CAPACITOR		
	C 32	QDYB1CM-103Y	C.CAPACITOR		
	C 33	QETN1AM-107Z	E CAPACITOR	100MF 20% 10V	
	C 35	QDX31EM-473Z	C.CAPACITOR		
	C 36	QETN1HM-475Z	E CAPACITOR	4.7MF 20% 50V	
	C 37	QDGB1HK-102Y	C CAPACITOR		
	C 40	QDYB1CM-103Y	C.CAPACITOR		
	C 41	QETN1HM-475Z	E CAPACITOR	4.7MF 20% 50V	
	C 42	QDX31EM-473Z	C.CAPACITOR		
	C 43	QETN1HM-104Z	05CAPACITOR	.10MF 20% 50V	
	C 44	QETN1HM-105Z	E CAPACITOR	1.0MF 20% 50V	
	C 45	QETN1HM-104Z	05CAPACITOR	.10MF 20% 50V	
	C 47	QDX31EM-123Z	C.CAPA I.M		
	C 48	QDX31EM-123Z	C.CAPA I.M		
	C 49	QETN1HM-104Z	05CAPACITOR	.10MF 20% 50V	
	C 50	QETN1HM-104Z	05CAPACITOR	.10MF 20% 50V	
	C 51	QCBB1HK-331Y	C CAPACITOR	330PF 10% 50V	
	C 52	QDGB1HK-102Y	C CAPACITOR		
	C 60	QDGB1HK-102Y	C CAPACITOR		
	C 61	QETN1AM-107Z	E CAPACITOR	100MF 20% 10V	
	C 62	QDCB1HJ-120Y	C CAPACITOR		
	C 63	QDGB1HK-102Y	C CAPACITOR		
	C 64	QDCB1HJ-120Y	C CAPACITOR		
	C 65	QDGB1HK-102Y	C CAPACITOR		
	C 68	QCBB1HK-151Y	C CAPACITOR	150PF 10% 50V	
	C 69	QDXB1CM-222Y	C.CAPA IM		
	C 70	QETN1HM-225Z	E CAPACITOR	2.2MF 20% 50V	
	C 71	QETN1CM-106Z	E CAPACITOR	10MF 20% 16V	
	C 77	QDYB1CM-103Y	C.CAPACITOR		
	C 81	QCSB1HJ-150Y	C CAPACITOR	15PF 5% 50V	
	C 83	QCSB1HJ-560Y	C CAPACITOR	56PF 5% 50V	
	C 85	QCSB1HJ-150Y	C CAPACITOR	15PF 5% 50V	
	CF 1	QAX0403-001	C FILTER		
	CF 3	QAX0538-001Z	CRYSTAL		
	CN 1	QGF1205C1-09	CONNECTOR	TO MAIN	
	D 1	SVC203SPA-JV-T	VARI CAP		
	D 2	SVC203SPA-JV-T	VARI CAP		
	D 5	1SS133-T2	SI DIODE IM		
	D 6	1SS133-T2	SI DIODE IM		
	D 8	SVC344-T	VARI CAP		
	D 12	DSK10C-T1	DIODE		
	D 13	1SS133-T2	SI DIODE IM		
	IC 1	TA2104AN	IC		
	IC 2	LC72136N	IC		
	L 1	QQR0772-001	OSC COIL	FM OSC	
	L 2	QQR0769-001	RF COIL	FM RF	
	L 3	QQR0745-001	BAR ANTENA	MW RF	
	L 4	QQR0723-001	OSC COIL	MW OSC	
	L 7	QLL231K-221Y	INDUCTOR		
	L 10	QLL231K-4R7Y	INDUCTOR		
	L 12	QQR0756-001	INDUCTOR		
	Q 1	2SC2668/O/-T	TRANSISTOR		
	R 1	QRE141J-104Y	C RESISTOR	100K 5% 1/4W	

△	Item	Parts number	Parts name	Remarks	Area
	R 2	QRE141J-473Y	C RESISTOR	47K 5% 1/4W	
	R 3	QRE141J-220Y	C RESISTOR	22 5% 1/4W	
	R 4	QRE141J-473Y	C RESISTOR	47K 5% 1/4W	
	R 7	QRE141J-104Y	C RESISTOR	100K 5% 1/4W	
	R 9	QRE141J-472Y	C RESISTOR	4.7K 5% 1/4W	
	R 13	QRE141J-104Y	C RESISTOR	100K 5% 1/4W	
	R 18	QRE141J-102Y	C RESISTOR	1.0K 5% 1/4W	
	R 20	QRE141J-223Y	C RESISTOR	22K 5% 1/4W	
	R 24	QRE141J-681Y	C RESISTOR	680 5% 1/4W	
	R 25	QRE141J-102Y	C RESISTOR	1.0K 5% 1/4W	
	R 30	QRE141J-183Y	C RESISTOR	18K 5% 1/4W	
	R 31	QRE141J-104Y	C RESISTOR	100K 5% 1/4W	
	R 32	QRE141J-332Y	C RESISTOR	3.3K 5% 1/4W	
	R 33	QRE141J-471Y	C RESISTOR	470 5% 1/4W	
	R 35	QRE141J-183Y	C RESISTOR	18K 5% 1/4W	
	R 36	QRE141J-183Y	C RESISTOR	18K 5% 1/4W	
	R 37	QRE141J-560Y	C RESISTOR	56 5% 1/4W	
	R 38	QRE141J-101Y	C RESISTOR	100 5% 1/4W	
	R 39	QRE141J-680Y	C RESISTOR	68 5% 1/4W	
	R 42	QRE141J-473Y	C RESISTOR	47K 5% 1/4W	
	R 44	QRE141J-222Y	C RESISTOR	2.2K 5% 1/4W	
	R 47	QRE141J-220Y	C RESISTOR	22 5% 1/4W	
	R 48	QRE141J-102Y	C RESISTOR	1.0K 5% 1/4W	
	R 52	QRE141J-103Y	C RESISTOR	10K 5% 1/4W	
	R 54	QRE141J-222Y	C RESISTOR	2.2K 5% 1/4W	
	R 55	QRE141J-222Y	C RESISTOR	2.2K 5% 1/4W	
	R 56	QRE141J-332Y	C RESISTOR	3.3K 5% 1/4W	
	R 57	QRE141J-102Y	C RESISTOR	1.0K 5% 1/4W	
	R 59	QRE141J-102Y	C RESISTOR	1.0K 5% 1/4W	
	R 60	QRE141J-102Y	C RESISTOR	1.0K 5% 1/4W	
	R 61	QRE141J-102Y	C RESISTOR	1.0K 5% 1/4W	
	R 63	QRE141J-473Y	C RESISTOR	47K 5% 1/4W	
	R 64	QRE141J-102Y	C RESISTOR	1.0K 5% 1/4W	
	T 2	QAX0540-001	C FIL		
	TC 2	QAT3725-200Z	T CAPACITOR	MW RF	
	TP 1	QNZ0104-001	POST PIN	TO ROD ANT	
	TP 2	QNZ0104-001	POST PIN	GND	
	X 1	QAX0402-001	CRYSTAL		

■ Electrical parts list (Head amplifier&mechanism board) Block No. 05

△	Item	Parts number	Parts name	Remarks	Area	△	Item	Parts number	Parts name	Remarks	Area
	C 101	NCS21HJ-821X	C CAPACITOR				IC 33	BU4094BCF-X	IC		
	C 102	NCS21HJ-221X	C CAPACITOR				L 301	QQR0620-001	OSC COIL(BIAS)		
	C 103	QEKJ0JM-227Z	E CAPACITOR	220MF 20% 6.3V			L 303	QQL01BK-100Z	INDUCTOR		
	C 104	NCB21HK-333X	C CAPACITOR				Q 101	DTC114TKA-X	TRANSISTOR		
	C 105	NCB21HK-222X	C CAPACITOR				Q 102	DTC114TKA-X	TRANSISTOR		
	C 106	QEKJ1CM-106Z	E CAPACITOR	10MF 20% 16V			Q 201	DTC114TKA-X	TRANSISTOR		
	C 107	NCS21HJ-561X	C CAPACITOR				Q 202	DTC114TKA-X	TRANSISTOR		
	C 108	QEKJ1EM-475Z	E CAPACITOR	4.7MF 20% 25V			Q 301	DTA144EKA-X	TRANSISTOR		
	C 109	QEKJ1EM-475Z	E CAPACITOR	4.7MF 20% 25V			Q 302	2SC2001/K/-T	TRANSISTOR		
	C 110	NCB21HK-682X	C CAPACITOR				Q 303	2SC2001/K/-T	TRANSISTOR		
	C 111	NCB21HK-122X	C CAPACITOR				Q 304	2SC2001/LK/-T	TRANSISTOR		
	C 112	NCB21EK-683X	C CAPACITOR				Q 305	2SC2001/LK/-T	TRANSISTOR		
	C 113	NCB21HK-222X	C CAPACITOR				Q 306	2SC2412K/RS/-X	CHIP TRANSISTOR		
	C 121	NCS21HJ-331X	C CAPACITOR				Q 307	2SC2412K/RS/-X	CHIP TRANSISTOR		
	C 201	NCS21HJ-821X	C CAPACITOR				Q 308	2SC2412K/RS/-X	CHIP TRANSISTOR		
	C 202	NCS21HJ-221X	C CAPACITOR				Q 309	2SC2412K/RS/-X	CHIP TRANSISTOR		
	C 203	QEKJ0JM-227Z	E CAPACITOR	220MF 20% 6.3V			Q 321	DTC144EKA-X	TRANSISTOR		
	C 204	NCB21HK-333X	C CAPACITOR				Q 323	2SC2412K/RS/-X	CHIP TRANSISTOR		
	C 205	NCB21HK-222X	C CAPACITOR				Q 371	2SA952/LK/-T	TRANSISTOR		
	C 206	QEKJ1CM-106Z	E CAPACITOR	10MF 20% 16V			Q 372	DTC124EKA-X	TRANSISTOR		
	C 207	NCS21HJ-561X	C CAPACITOR				Q 375	2SB562/C/-T	TRANSISTOR		
	C 208	QEKJ1EM-475Z	E CAPACITOR	4.7MF 20% 25V			Q 376	2SC2412K/RS/-X	CHIP TRANSISTOR		
	C 209	QEKJ1EM-475Z	E CAPACITOR	4.7MF 20% 25V			R 101	NRSA63J-220X	MG RESISTOR		
	C 210	NCB21HK-682X	C CAPACITOR				R 102	NRSA63J-182X	MG RESISTOR		
	C 211	NCB21HK-122X	C CAPACITOR				R 103	NRSA63J-242X	MG RESISTOR		
	C 212	NCB21EK-683X	C CAPACITOR				R 104	NRSA63J-122X	MG RESISTOR		
	C 213	NCB21HK-222X	C CAPACITOR				R 105	NRSA63J-104X	MG RESISTOR		
	C 221	NCS21HJ-331X	C CAPACITOR				R 106	NRSA63J-332X	MG RESISTOR		
	C 301	QEKJ1AM-107Z	E CAPACITOR	100MF 20% 10V			R 107	NRSA63J-123X	MG RESISTOR		
	C 302	NCB21HK-393X	C CAPACITOR				R 108	NRSA63J-562X	MG RESISTOR		
	C 303	QEKJ0JM-227Z	E CAPACITOR	220MF 20% 6.3V			R 109	NRSA63J-122X	MG RESISTOR		
	C 304	QEKJ1CM-226Z	E CAPACITOR	22MF 20% 16V			R 110	NRSA63J-472X	MG RESISTOR		
	C 305	QEKJ1CM-226Z	E CAPACITOR	22MF 20% 16V			R 111	NRSA63J-333X	MG RESISTOR		
	C 306	QEKJ1CM-476Z	E CAPACITOR	47MF 20% 16V			R 112	NRSA63J-222X	MG RESISTOR		
	C 307	NCB21HK-103X	C CAPACITOR				R 113	NRSA63J-472X	MG RESISTOR		
	C 308	NCB21HK-562X	C CAPACITOR				R 114	NRSA63J-272X	MG RESISTOR		
	C 309	NCB21HK-562X	C CAPACITOR				R 116	NRSA63J-102X	MG RESISTOR		
	C 310	NCB21HK-223X	C CAPACITOR				R 121	NRSA63J-102X	MG RESISTOR		
	C 311	NCB21HK-682X	C CAPACITOR				R 201	NRSA63J-220X	MG RESISTOR		
	C 313	QEKJ1AM-107Z	E CAPACITOR	100MF 20% 10V			R 202	NRSA63J-182X	MG RESISTOR		
	C 314	QCZ0205-155Z	ML C CAPACITOR	1.5MF			R 203	NRSA63J-242X	MG RESISTOR		
	C 315	QCZ0205-155Z	ML C CAPACITOR	1.5MF			R 204	NRSA63J-122X	MG RESISTOR		
	C 316	QFG32AJ-103Z	PP CAPACITOR	.010MF 5% 100V			R 205	NRSA63J-104X	MG RESISTOR		
	C 318	NCB21HK-103X	C CAPACITOR				R 206	NRSA63J-332X	MG RESISTOR		
	C 319	QFG32AJ-821Z	PP CAPACITOR	820PF 5% 100V			R 207	NRSA63J-123X	MG RESISTOR		
	C 321	NCB21HK-103X	C CAPACITOR				R 208	NRSA63J-562X	MG RESISTOR		
	C 322	QFG32AJ-152Z	PP CAPACITOR	1500PF 5% 100V			R 209	NRSA63J-122X	MG RESISTOR		
	C 331	QEKJ1CM-476Z	E CAPACITOR	47MF 20% 16V			R 210	NRSA63J-472X	MG RESISTOR		
	C 351	QEKJ1CM-106Z	E CAPACITOR	10MF 20% 16V			R 211	NRSA63J-333X	MG RESISTOR		
	C 371	QEKJ1EM-475Z	E CAPACITOR	4.7MF 20% 25V			R 212	NRSA63J-222X	MG RESISTOR		
	C 374	QEKJ1AM-107Z	E CAPACITOR	100MF 20% 10V			R 213	NRSA63J-472X	MG RESISTOR		
	C 375	QEKJ1AM-107Z	E CAPACITOR	100MF 20% 10V			R 214	NRSA63J-272X	MG RESISTOR		
	C 376	NCB21HK-103X	C CAPACITOR				R 216	NRSA63J-102X	MG RESISTOR		
	CN 31	QGF1201F3-06	CONNECTOR				R 221	NRSA63J-102X	MG RESISTOR		
	CN 32	QGB2011M1-10	B TO B CONNECTO				R 301	NRS181J-221X	MG RESISTOR		
	CN 33	QGF1205F1-09	CONNECTOR				R 303	NRSA63J-393X	MG RESISTOR		
	CN 34	QGF1201F3-10	CONNECTOR				R 304	NRS181J-101X	MG RESISTOR		
	D 301	MA152WA-X	DIODE				R 305	NRSA63J-222X	MG RESISTOR		
	D 309	MA704A-X	S.K.DIODE				R 306	NRSA63J-222X	MG RESISTOR		
	D 375	MA3051/M/-X	ZENER DIODE				R 310	NRS181J-560X	MG RESISTOR		
	FW 31	QUM024-06A2Z3	PARA RIBON WIRE				R 311	NRS181J-560X	MG RESISTOR		
	IC 31	BA3126N	IC				R 313	NRSA63J-3R3X	MG RESISTOR		
	IC 32	AN7317	IC				R 314	NRSA63J-223X	MG RESISTOR		

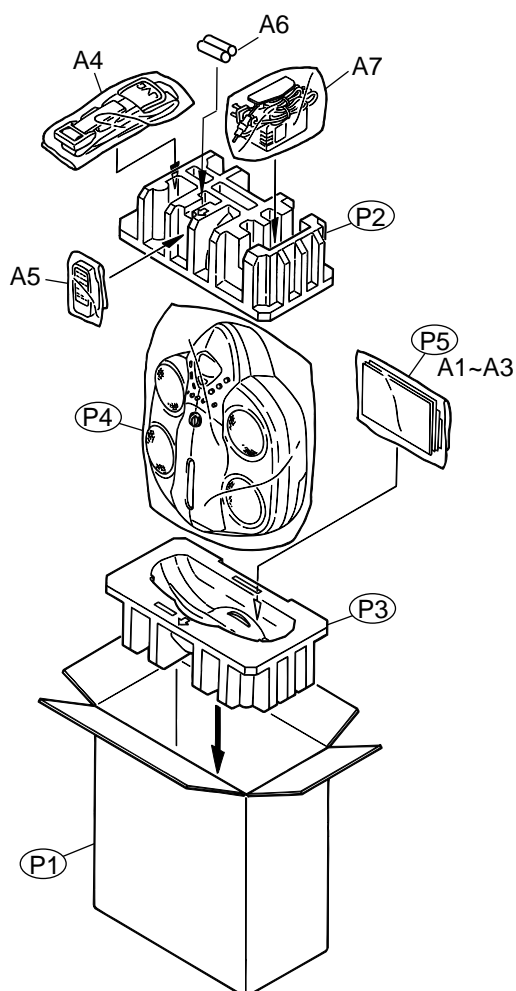
■ Electrical parts list (Head amplifier&mechanism board) Block No. 05

△	Item	Parts number	Parts name	Remarks	Area
	R 315	NRSA63J-100X	MG RESISTOR		
	R 316	NRSA63J-223X	MG RESISTOR		
	R 317	NRSA63J-100X	MG RESISTOR		
	R 319	NRSA63J-152X	MG RESISTOR		
	R 322	NRSA63J-152X	MG RESISTOR		
	R 327	NRSA63J-474X	MG RESISTOR		
	R 332	NRSA63J-123X	MG RESISTOR		
	R 333	NRSA63J-123X	MG RESISTOR		
	R 335	NRSA63J-152X	MG RESISTOR		
	R 336	NRSA63J-472X	MG RESISTOR		
	R 337	NRSA63J-332X	MG RESISTOR		
	R 338	NRSA63J-392X	MG RESISTOR		
	R 339	NRSA63J-222X	MG RESISTOR		
	R 340	NRS181J-391X	MG RESISTOR		
	R 341	NRSA63J-123X	MG RESISTOR		
	R 342	NRSA63J-203X	MG RESISTOR		
	R 343	NRSA63J-183X	MG RESISTOR		
	R 351	NRSA63J-683X	MG RESISTOR		
	R 352	NRSA63J-912X	MG RESISTOR		
	R 371	NRSA63J-123X	MG RESISTOR		
	R 372	NRSA63J-102X	MG RESISTOR		
	R 375	NRSA02J-151X	MG RESISTOR		
	R 376	NRSA63J-472X	MG RESISTOR		
	VR 31	QVP0008-503Z	SEMI.V.RESISTOR		
	VR 32	QVP0008-503Z	SEMI.V.RESISTOR		
	VR 37	QVP0008-103Z	SEMI.V.RESISTOR		

■ Electrical parts list (Cassette switch board) Block No. 06

△	Item	Parts number	Parts name	Remarks	Area
	CN 1	QGB2011L1-10	B TO B CONNECTO		
	D 1	1SR139-400-T2	SI DIODE		
	IC 1	SG-105F3-BB,C	PHOTO SENSER		
	P 1	QNZ0104-001	POST PIN		
	SW 1	QSW0832-001	LEAF SWITCH	R.REC	
	SW 2	QSW0832-001	LEAF SWITCH	TAPE	
	SW 4	QSW0832-001	LEAF SWITCH	70U	
	SW 5	QSW0832-001	LEAF SWITCH	F.REC	
	SW 6	QSW0859-001	DETECT SWITCH		

Packing materials and accessories parts list

Block No. M 3 M MBlock No. M 4 M M

■ Parts list (Packing)

Block No. M3MM

⚠	Item	Parts number	Parts name	Q'ty	Description	Area
	P 1	LV32547-002A	CARTON	1	FOR B.E.EN	
	P 2	LV10494-001A	CUSHION(UPPER)	1		
	P 3	LV10494-002A	CUSHION(BOTTOM)	1		
	P 4	QPC06007515P	POLY BAG	1		
	P 5	QPA02503505P	POLY BAG	1	FOR INST	

■ Parts list (Accessories)

Block No. M4MM

⚠	Item	Parts number	Parts name	Q'ty	Description	Area
	A 1	LVT0682-006A	INST.BOOK	1	GER,FRE,DUT	E
		LVT0682-007A	INST.BOOK	1	GER,FRE,SPA,ITA,SWE	EN
		LVT0682-007A	INST.BOOK	1	FIN,DAN	EN
		LVT0682-005A	INST.BOOK	1	ENG	B
	A 2	BT-54008-2	WARRANTY CARD	1		
	A 3	VNA3000-204	REGIST.CARD	1		E
	A 4	LV32785-001A	SHOULDER BELT	1		
	A 5	RM-SRSWP1J	REMOCON	1		
	A 6	R6SPTT-2STSM	BATTERY	2		
⚠	A 7	QAL0327-001	AC ADAPTOR	1		B
⚠		QAL0326-001	AC ADAPTOR	1		E,EN